

- 49710** Philadelphia, 10" ForgePro Brick Trowel, Ergosoft Handle.
- 49711** Philadelphia, 11" ForgePro Brick Trowel, Ergosoft Handle.
- 49712** Philadelphia, 12" ForgePro Brick Trowel, Ergosoft Handle.

ForgePro Brick Trowels

One-pc precisely forged, taper ground perfectly balanced. very tough and flexible blade for long lasting and professional use. available in comfortable ergosoft or large selected wood handle with large ferrule.



- 19710** Philadelphia, 10" ForgePro Brick Trowel, Wood Handle.
- 19711** Philadelphia, 11" ForgePro Brick Trowel, Wood Handle.
- 19712** Philadelphia, 12" ForgePro Brick Trowel, Wood Handle.



- 49720** Wide London, 10" ForgePro Brick Trowel, Ergosoft Handle.
- 49721** Wide London, 11" ForgePro Brick Trowel, Ergosoft Handle.
- 49722** Wide London, 12" ForgePro Brick Trowel, Ergosoft Handle.



- 19720** Wide London, 10" ForgePro Brick Trowel, Wood Handle.
- 19721** Wide London, 11" ForgePro Brick Trowel, Wood Handle.
- 19722** Wide London, 12" ForgePro Brick Trowel, Wood Handle.

Masonry Tools



19730 Narrow London, 10" ForgePro Brick Trowel, Wood Handle.

19731 Narrow London, 11" ForgePro Brick Trowel, Wood Handle.

19732 Narrow London, 12" ForgePro Brick Trowel, Wood Handle.

19733 Narrow London, 13" ForgePro Brick Trowel, Wood Handle.



19737 7" ForgePro Gauging Trowel, Wood Handle.



49730 Narrow London, 10" ForgePro Brick Trowel, Ergosoft Handle.

49731 Narrow London, 11" ForgePro Brick Trowel, Ergosoft Handle.

49732 Narrow London, 12" ForgePro Brick Trowel, Ergosoft Handle.

49733 Narrow London, 13" ForgePro Brick Trowel, Ergosoft Handle.



49737 7" ForgePro Gauging Trowel, Ergosoft Handle.



19715 5-1/2" ForgePro Pointing Trowel, Wood Handle.

19716 6" ForgePro Pointing Trowel, Wood Handle.

19717 7" ForgePro Pointing Trowel, Wood Handle.



19757 7" ForgePro Tile Setting Trowel, Wood Handle.



49715 5-1/2" ForgePro Pointing Trowel, Ergosoft Handle.

49716 6" ForgePro Pointing Trowel, Ergosoft Handle.

49717 7" ForgePro Pointing Trowel, Ergosoft Handle.



49757 7" ForgePro Tile Setting Trowel, Ergosoft Handle.



Forged from selected high quality carbon steel and taper ground blade. it is well balanced, tough and flexible for long professional use. Available in comfortable Ergosoft or large selected wood handle with large ferrule.



Made by selected high quality carbon steel, precisely taper ground blade, durable & flexible for longer lasting and professional use. Available in comfortable Ergosoft or large selected wood handle with large ferrule.



- 19410** 5" x 1-1/2" ForgePro Margin Trowel, Wood Handle.
- 19415** 5" x 2" ForgePro Margin Trowel, Wood Handle.
- 19416** 6" x 2" ForgePro Margin Trowel, Wood Handle.
- 19418** 8" x 2" ForgePro Margin Trowel, Wood Handle.



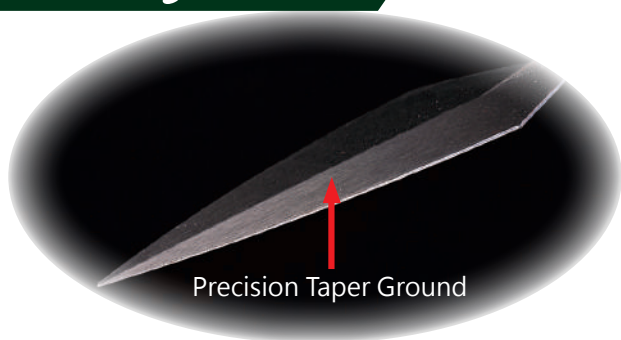
- 16502** 1/4" ForgePro Tuck Pointing Trowel, Wood Handle.
- 16503** 3/8" ForgePro Tuck Pointing Trowel, Wood Handle.
- 16504** 1/2" ForgePro Tuck Pointing Trowel, Wood Handle.
- 16505** 5/8" ForgePro Tuck Pointing Trowel, Wood Handle.
- 16506** 3/4" ForgePro Tuck Pointing Trowel, Wood Handle.
- 16507** 7/8" ForgePro Tuck Pointing Trowel, Wood Handle.
- 16508** 1" ForgePro Tuck Pointing Trowel, Wood Handle.



- 49410** 5" x 1-1/2" ForgePro Margin Trowel, Ergosoft Handle.
- 49415** 5" x 2" ForgePro Margin Trowel, Ergosoft Handle.
- 49416** 6" x 2" ForgePro Margin Trowel, Ergosoft Handle.
- 49418** 8" x 2" ForgePro Margin Trowel, Ergosoft Handle.



- 36502** 1/4" ForgePro Tuck Pointing Trowel, Ergosoft Handle.
- 36503** 3/8" ForgePro Tuck Pointing Trowel, Ergosoft Handle.
- 36504** 1/2" ForgePro Tuck Pointing Trowel, Ergosoft Handle.
- 36505** 5/8" ForgePro Tuck Pointing Trowel, Ergosoft Handle.
- 36506** 3/4" ForgePro Tuck Pointing Trowel, Ergosoft Handle.
- 36507** 7/8" ForgePro Tuck Pointing Trowel, Ergosoft Handle.
- 36508** 1" ForgePro Tuck Pointing Trowel, Ergosoft Handle.



Precision Taper Ground

TruPro Brick Trowels

Made by selected high quality carbon steel, precisely taper ground blade, well balanced and flexible for longer lasting and professional use. Available in comfortable Ergosoft or large selected wood handle with large ferrule.



- 19610** Philadelphia ,10" TruPro Brick Trowel, Wood Handle.
- 19611** Philadelphia ,11" TruPro Brick Trowel, Wood Handle.
- 19612** Philadelphia ,12" TruPro Brick Trowel, Wood Handle.



- 49620** Wide London ,10" TruPro Brick Trowel, Ergosoft Handle.
- 49621** Wide London ,11" TruPro Brick Trowel, Ergosoft Handle.
- 49622** Wide London ,12" TruPro Brick Trowel, Ergosoft Handle.



- 49610** Philadelphia ,10" TruPro Brick Trowel, Ergosoft Handle.
- 49611** Philadelphia ,11" TruPro Brick Trowel, Ergosoft Handle.
- 49612** Philadelphia ,12" TruPro Brick Trowel, Ergosoft Handle.



- 19630** Narrow London ,10" TruPro Brick Trowel, Wood Handle.
- 19631** Narrow London ,11" TruPro Brick Trowel, Wood Handle.
- 19632** Narrow London ,12" TruPro Brick Trowel, Wood Handle.
- 19633** Narrow London ,13" TruPro Brick Trowel, Wood Handle.



- 19620** Wide London ,10" TruPro Brick Trowel, Wood Handle.
- 19621** Wide London ,11" TruPro Brick Trowel, Wood Handle.
- 19622** Wide London ,12" TruPro Brick Trowel, Wood Handle.



- 49630** Narrow London ,10" TruPro Brick Trowel, Ergosoft Handle.
- 49631** Narrow London ,11" TruPro Brick Trowel, Ergosoft Handle.
- 49632** Narrow London ,12" TruPro Brick Trowel, Ergosoft Handle.
- 49633** Narrow London ,13" TruPro Brick Trowel, Ergosoft Handle.



19615 5-1/2" TruPro Pointing Trowel, Wood Handle.
19616 6" TruPro Pointing Trowel, Wood Handle.
19617 7" TruPro Pointing Trowel, Wood Handle.



19657 7" TruPro Tile Setting Trowel, Wood Handle.



49615 5-1/2" TruPro Pointing Trowel, Ergosoft Handle.
49616 6" TruPro Pointing Trowel, Ergosoft Handle.
49617 7" TruPro Pointing Trowel, Ergosoft Handle.



49657 7" TruPro Tile Setting Trowel, Ergosoft Handle.



19400 5" x 1-1/2" TruPro Margin Trowel, Wood Handle.
19405 5" x 2" TruPro Margin Trowel, Wood Handle.
19406 6" x 2" TruPro Margin Trowel, Wood Handle.
19408 8" x 2" TruPro Margin Trowel, Wood Handle.



19637 7" TruPro Gauging Trowel, Wood Handle.



49400 5" x 1-1/2" TruPro Margin Trowel, Ergosoft Handle.
49405 5" x 2" TruPro Margin Trowel, Ergosoft Handle.
49406 6" x 2" TruPro Margin Trowel, Ergosoft Handle.
49408 8" x 2" TruPro Margin Trowel, Ergosoft Handle.



49637 7" TruPro Gauging Trowel, Ergosoft Handle.



39640 Brick Trowel 7" .

Economy Brick Trowel

Economy carbon steel blades, with comfortable hard wood or ergosoft handle.



- 16610** 10" Brick Trowel, Philadelphia, Wood Handle.
- 16611** 11" Brick Trowel, Philadelphia, Wood Handle.
- 16612** 12" Brick Trowel, Philadelphia, Wood Handle.



- 36610** 10" Brick Trowel, Philadelphia, Ergosoft Handle.
- 36611** 11" Brick Trowel, Philadelphia, Ergosoft Handle.
- 36612** 12" Brick Trowel, Philadelphia, Ergosoft Handle.



- 16620** 10" Brick Trowel, Wide Heel London, Wood Handle.
- 16621** 11" Brick Trowel, Wide Heel London, Wood Handle.
- 16622** 12" Brick Trowel, Wide Heel London, Wood Handle.



- 36620** 10" Brick Trowel, Wide Heel London, Ergosoft Handle.
- 36621** 11" Brick Trowel, Wide Heel London, Ergosoft Handle.
- 36622** 12" Brick Trowel, Wide Heel London, Ergosoft Handle.



- 16630** 10" Brick Trowel, Narrow London, Wood Handle.
- 16631** 11" Brick Trowel, Narrow London, Wood Handle.
- 16632** 12" Brick Trowel, Narrow London, Wood Handle.



- 36630** 10" Brick Trowel, Narrow London, Ergosoft Handle.
- 36631** 11" Brick Trowel, Narrow London, Ergosoft Handle.
- 36632** 12" Brick Trowel, Narrow London, Ergosoft Handle.



- 16605** 5-1/2" Pointing Trowel, Wood Handle.
- 16606** 6" Pointing Trowel, Wood Handle.
- 16607** 7" Pointing Trowel, Wood Handle.



- 36605** 5-1/2" Pointing Trowel, Ergosoft Handle.
- 36606** 6" Pointing Trowel, Ergosoft Handle.
- 36607** 7" Pointing Trowel, Ergosoft Handle.



- 16657** Economy 7" Tile Setting Trowel, Wood Handle.



- 36657** Economy 7" Tile Setting Trowel, Ergosoft Handle.



16707 Economy 7" Gauging Trowel, Wood Handle.



- 16400** 5" x 1-1/2" Economy Margin Trowel, Wood Handle.
- 16405** 5" x 2" Economy Margin Trowel, Wood Handle.
- 16406** 6" x 2" Economy Margin Trowel, Wood Handle.
- 16408** 8" x 2" Economy Margin Trowel, Wood Handle.



36707 Economy 7" Gauging Trowel, Ergosoft Handle.



- 36400** 5" x 1-1/2" Economy Margin Trowel, Ergosoft Handle.
- 36405** 5" x 2" Economy Margin Trowel, Ergosoft Handle.
- 36406** 6" x 2" Economy Margin Trowel, Ergosoft Handle.
- 36408** 8" x 2" Economy Margin Trowel, Ergosoft Handle.



Convex Jointers

Made of heavy duty steel, two ends with different size jointer. Longwearing for half-round rodded or sunken joints.



- 16813** 3/8" x 1/2" Heavy Duty Convex Jointer.
- 16814** 1/2" x 5/8" Heavy Duty Convex Jointer.
- 16815** 5/8" x 3/4" Heavy Duty Convex Jointer.
- 16816** 3/4" x 7/8" Heavy Duty Convex Jointer.
- 16817** 7/8" x 1" Heavy Duty Convex Jointer.

Made of forged heavy duty steel, longwearing and durable for different joints.



- 16824** 1/2" x 5/8" Double Blade Grapevine Jointer.
- 16825** 5/8" x 3/4" Double Blade Grapevine Jointer.

Economy grade, made by plated steel but heavy duty for brick or block use.

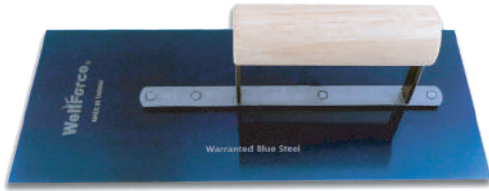


- 16800** 1/2" x 5/8" Jointer.
- 16806** 3/8" x 1/2" Jointer.



- 16831** 1/4" x 3/8" Flat Blade Jointer.
- 16833** 3/8" x 1/2" Flat Blade Jointer.
- 16834** 1/2" x 5/8" Flat Blade Jointer.

Masonry Tools



16369 Finishing Trowel, 114 x 279 mm w/Reinforced Rivet on Back.

Adjustable for carrying from 6 to 11 bricks. Heavy duty and long wearing.



16520 Brick Tongs.

Made of light weight aluminum mounted with skate wheels. Adjustable depth by hardened nail.



16540 Skate Wheel Joint Raker.



16510 Brick Carrier.

Durable bag with metal tip makes using and cleaning bag perfectly.



16580 Grout Bag.

Made of heavy duty zinc/aluminum alloy, self-chalking and leak-proof. tough cotton line for heavy chalk distribution. patented refill nozzle easy to serve and leaking free.



15028 Aluminum Chalk Line Reel.



15029 Aluminum Chalk Line Reel.

Bright color, use to mark straight lines. and clings to any surface for carpentry, masonry, wallcovering and general construction work.



15034 4 OZ Chalk Refill, Plastic Can.

15035 6 OZ Chalk Refill, Plastic Can.

15036 8 OZ Chalk Refill, Plastic Can.

Made of light weight aluminum, self-chalking and leak-proof. tough cotton line for heavy chalk distribution.



15030 Aluminum Chalk Line Reel.



15032 Plastic Chalk Line Reel.



15037 2 OZ Chalk Refill, Plastic Can.

Made of heavy duty zinc/aluminum alloy, self-chalking and leak-proof. tough nylon line for heavy chalk distribution.



15031 Heavy Duty Chalk Line Reel.



15033 Chalk Line Reel, Plastic Case.



15038 1 OZ Chalk Refill, Plastic Bag.

Masonry Tools



Drop Forged by selected high quality steel. Used for setting & cutting bricks, masonry tile and concrete blocks. Well balanced with hardwood handle.



31010 16 OZ. Brick layer Hammer, Wooden Handle.



31012 Brick layer Hammer, Tublar Handle with Cushion Grip.



31020 Adjustable Line Stretcher 30 mm-500g.
31022 French Jointer's Hammer 32 mm-630g.



31025 Sledge Hammer-1000g.
31026 Sledge Hammer-1250g.
31027 Sledge Hammer-1500g.
31028 Sledge Hammer-2000g.



16691 Bricklayer's Chisel 4" with Grip.
16692 Bricklayer's Chisel 2-5/8" .
16693 Bricklayer's Chisel 3" .
16695 Bricklayer's Chisel 3-1/2" .



16710 Cold Chisel w/Safety Guard, 24 x 250mm/450g.
16711 Cold Chisel w/Safety Guard, 29 x 300mm/700g.
16712 Cold Chisel w/Safety Guard, 29 x 400mm/950g.
16720 Point Chisel w/Safety Guard, 16 x 250mm/450g.
16721 Point Chisel w/Safety Guard, 19 x 300mm/700g.
16722 Point Chisel w/Safety Guard, 19 x 400mm/950g.



16730 Flat Chisel.



All Purpose Masonry Brushes

All purpose masonry brushes, made of select white tampico fiber. Bristles set into wood block.

Made of lightweight foam plastic block with polypropylene bristles. Durable and resist of warp, rot and crack.



31070 Acid Brush.



31065 Utility Brush.

Extendable with long handle, long wearing stiff white tampico fiber bristles.



31072 Long Arm Acid Brush.



31079 Heavy Duty Acid Brush(wood block).

Long arm handle, made of lightweight foam plastic block with Palmyra fiber bristles.



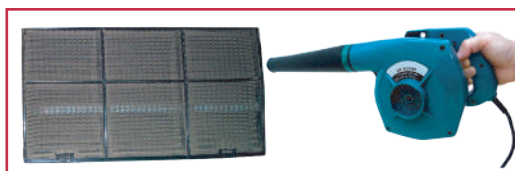
31073 Long Arm Utility Brush, Palmyra Fiber.



31080 Floor Brush.



15470 Air Blower.



For dust collector & blower. Perfect for cleaning operations by blower or suction. Compact and lightweight for easy one-hand operation. Make quick work of workshop, garage and other cleanups.

Masonry Tools

Brilliantly colored and resist abrasion and alkali. Built-in maintains tension, eliminates sagging and need for extra twigging.

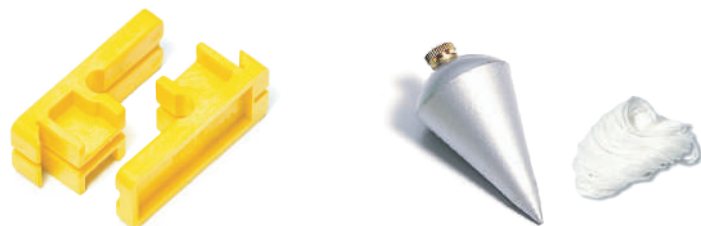


- 16852** 250" /76M Mason Lines, Braided Nylon Line.
- 16853** 300" /91M Mason Lines, Braided Nylon Line.
- 16855** 500" /152M Mason Lines, Braided Nylon Line.

Made of selected hardwood, designed to be used on corner poles without covering calibrations.



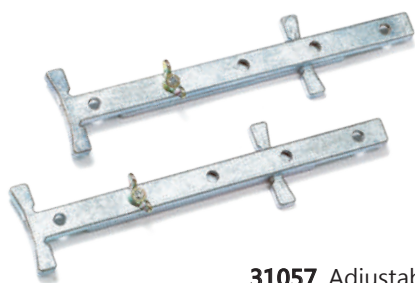
- 31055** Wood Line Blocks.
- 31050** Economy Steel Plumb Bob.



- 31056** Plastic Line Blocks.
- 31051** 5 oz, Plum Bob w/8 Ft, String.
- 31053** 8 oz, Plum Bob w/5 M, String & Plate.



- 31390** Folding Rule, Plastic.
- 31395** Folding Rule, Stainless.
- 31393** Folding Rule, Wood.



31057 Adjustable Line Stretcher.

Durable plastic or aluminum line level with special hooks to hold on line. Allows level to slide freely for positioning easy.



31570 5" Pocket Level.



31580 Line Level, Aluminum.



31585 Line Level, Plastic.



31586 Spirit Level w/Measuring Tape.



31530 Laser Level.

Strong aluminum extruded Box-section. Always with 3 vials.



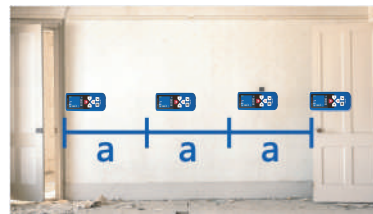
- 31550** Box Level.
- 31570** 5" Pocket Level.



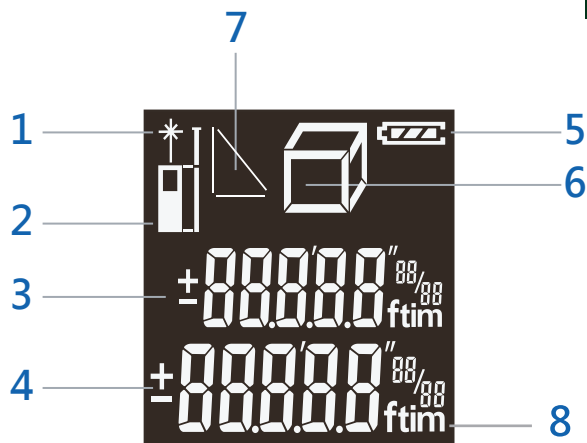
31500 Skeleton Level.

Dyna Measurement

Locate your distance and find your position from a reference point with the Dyna(continuous) Measurement tracking function. Finish your job with ease and in no time at all.



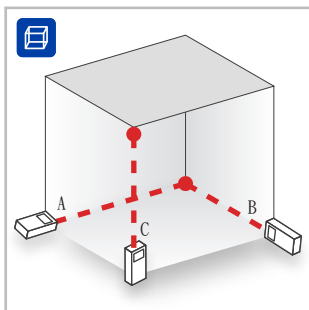
31540 Laser Meter.
Measure Range 0.5M~40M, w/Normal & Dyna(Continuous) Measuring Mode, Embedded two space measurement programs for Area and Volume calculations.



- 1. Laser Indicate
- 2. Measuring Reference
- 3. Sub-Screen
- 4. Main Screen
- 5. Battery Capacity
- 6. Area/Volume Measuring
- 7. Indirect Measuring
- 8. Measuring Unit

Space Calculations

Embedded two space measurement programs for Area and Volume calculations.

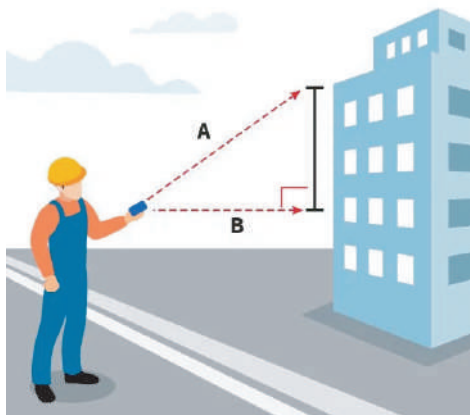


31545 Laser Meter, 0.05M~60M.
31547 Laser Meter, 0.05M~100M.



Indirect Measurement

Finding it hard to measure a height ? Using the indirect height and length measurement function(Pythagoras) you can now record your values, simply and professionally at the touch of a button.



31520 Working Measurer- Tri-fold w/6" Wheel.